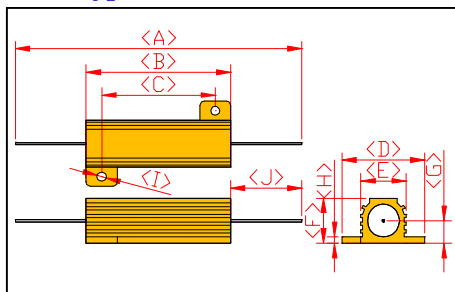


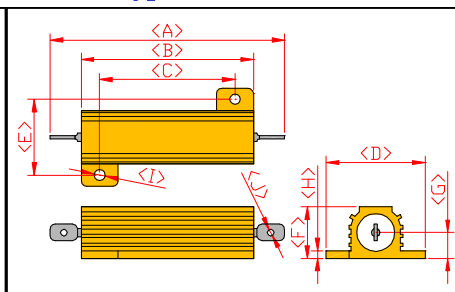
# 黃金鋁殼電阻器 Aluminum Housed Axial Lead Wirewound Resistors

## AH series ◆輕量型 . Compact Light Weight Electric Power Type

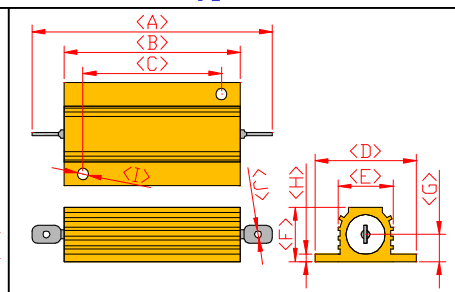
◆A Type



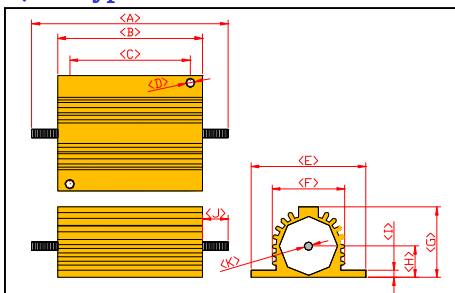
◆B Type



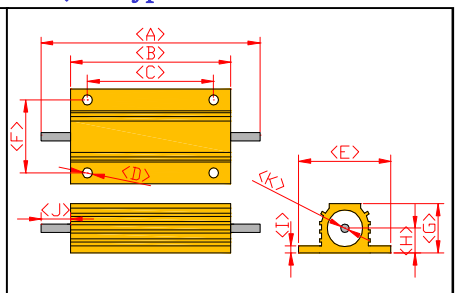
◆C Type



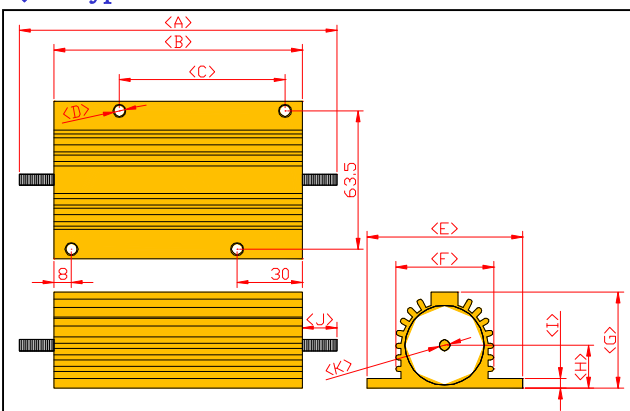
◆D Type



◆E Type



◆F Type



規格表 Spec.

| 定格電力 (W)<br>Power Rating | 尺寸 Dimensions (mm) |      |      |       |      |      |      |       |       |       |       | 型式<br>Type | 備註<br>Remark |
|--------------------------|--------------------|------|------|-------|------|------|------|-------|-------|-------|-------|------------|--------------|
|                          | A±2.5              | B±1  | C±1  | D±0.5 | E±1  | F±1  | G±1  | H±0.5 | I±0.2 | J±1.5 | K±0.2 |            |              |
| AH-5W                    | 82                 | 15.3 | 11.3 | 16.5  | 9.4  | 8    | 4    | 1.4   | 2.2   | 33    | -     | A          |              |
| AH-10W                   | 31.6               | 18.7 | 14.3 | 20.4  | 16.7 | 10   | 5    | 2     | 2.2   | 2.2   | -     | B          |              |
| AH-25W                   | 48                 | 27.8 | 18.6 | 27.4  | 20   | 14.8 | 7.7  | 2     | 3.4   | 2.2   | -     | B          |              |
| AH-50W                   | 70                 | 51   | 38.5 | 29.4  | 22.9 | 15.8 | 7.7  | 2.4   | 4.2   | 2.2   | -     | B          |              |
| AH-85W                   | 94                 | 75   | 38.5 | 29.4  | 14.4 | 15.8 | 7.7  | 2.4   | 3.2   | 2.2   | -     | C          |              |
| AHS-100W                 | 95                 | 66   | 35   | 4.5   | 47   | 36   | 25   | 13    | 3.2   | 15    | M4    | E          |              |
| AH-100W                  | 122                | 90   | 69.2 | 5.2   | 71.5 | 45   | 44   | 20±1  | 4.4   | 16    | M6    | D          |              |
| AH-250W                  | 178                | 114  | 76   | 5.2   | 77   | 57.8 | 54.5 | 25±1  | 5     | 32    | M6    | F          |              |